

# Wall mounted receptacle DUOi

Part Number.: 5611409G



## MENNEKES

Elektrotechnik GmbH & Co. KG  
Aloys-Mennekes-Straße 1  
57399 KIRCHHUNDEM GERMANY  
[www.MENNEKES.org](http://www.MENNEKES.org)

# Product Description

- screw terminals
- LED voltage indicator
- pre-wired for installation
- X-CONTACT
- switched
- mechanical DUO-interlock
- 3 pole switch
- receptacles can be padlocked

# Technical Details

Wall mounted receptacle - DUO	5611409G
Product series	DUOi
Switch Disconnecter	Yes
Ampere	16A
Number of Poles	4 P
Clock position	9 h
Voltage	230 V
Hertz	50-60 Hz
Current Type	AC
Switch Type	3P + N + PE
Protection Type	IP44
Impact resistance	IK08
Contact carrier	Highly heat resistant X-CONTACT®
Pilot contact	Without pilot contact
Connection	Screw-terminals
LED voltage indicator	Yes

	Life expectancy: 10 years at ambient temperature +40 °C
Padlocked	Yes
Mounting method	Wall mounted
Cable entry	Top & Bottom 2 x M25 top or bottom closed 1 x M25 and 1 x M32 top or bottom closed
Weight (net)	1246 g
EAN / identification number	4015394303794

### Permissible ambient conditions

Permanent ambient temperature min. - max.	-25 - +40 °C
-------------------------------------------	--------------

### Material properties

Hinged lid	PC similar RAL 5017 blue
Upper enclosure part	PC/ASA similar RAL 7035 grey
Enclosure base	PC/ASA similar RAL 9005 deep black
Rotary Switch	PC/ASA similar RAL 7035 grey
Material of exterior screws	PA6 similar RAL 9005 deep black

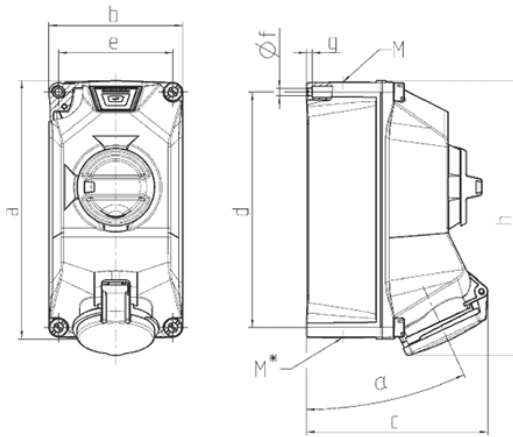
### Material resistance

The material resistance overview can be found on the website in the "Knowledge" section → "Product knowledge" → "Materials"

### Regulations and Standards

REACH (Regulation (EG) No. 1907/2006)	Information according to article 33 REACH: SVHC: Lead (CAS: 7439-92-1)
RoHS 2011/65/EU incl. 2015/863/EU	✓
POP Regulation (EU) 2019/1021	✓
Norm(s)	IEC 60309-4
Declaration of conformity	CE, UKCA
Test mark	-

# Dimensional drawing



Drawing 1 MB 715	Amp. Poles	16			32		
		3	4	5	3	4	5
Dim. in mm	a	225	225	225	225	225	225
	b	118	118	118	118	118	118
	c	160	160	160	162	162	162
	d	208	208	208	208	208	208
	e	101	101	101	101	101	101
	f	6.4	6.4	6.4	6.4	6.4	6.4
	g	5	5	5	5	5	5
	h	238	244	243	249	249	250
	α		25			25	
	M	1x25 and 1x32			1x25 and 1x32		
	M*	2x25	2x25	2x25	2x25	2x25	2x25
	Max. cable diam. (mm)	25	25	25	25	25	25
	Terminal for cond. cross section (mm <sup>2</sup> ) min.-max.	2.5	2.5	2.5	2.5	2.5	2.5
		-10	-10	-10	-10	-10	-10